



Engineering Your Road to Success

# WHEEL BEARING MAINTENANCE

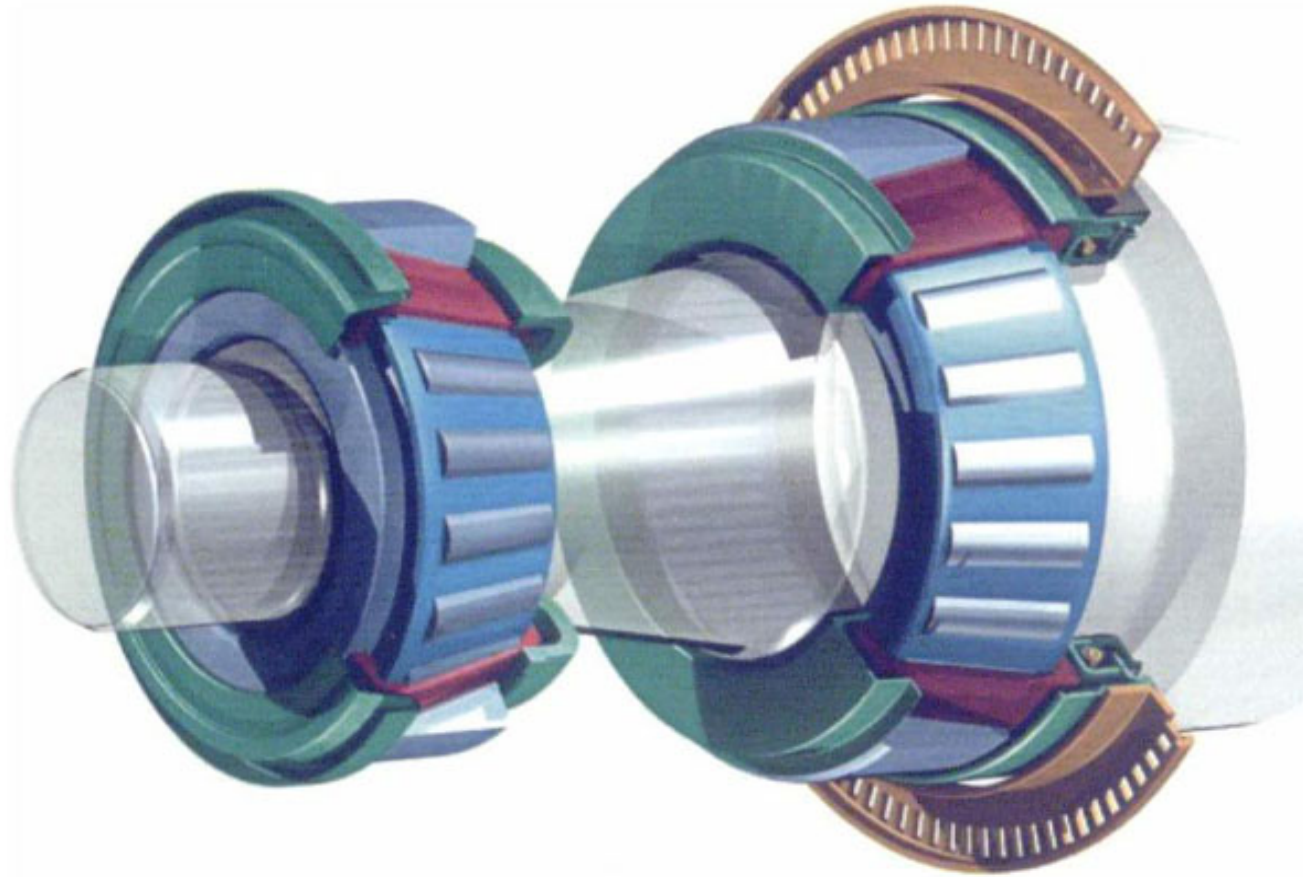
WAYNE CLARKE

2008 ATA / ARTSA

**TMC**  
Technical & Maintenance Conference

reducing **fuel** consumption | through | better | technology maintenance & operations

# GP STYLE BEARING

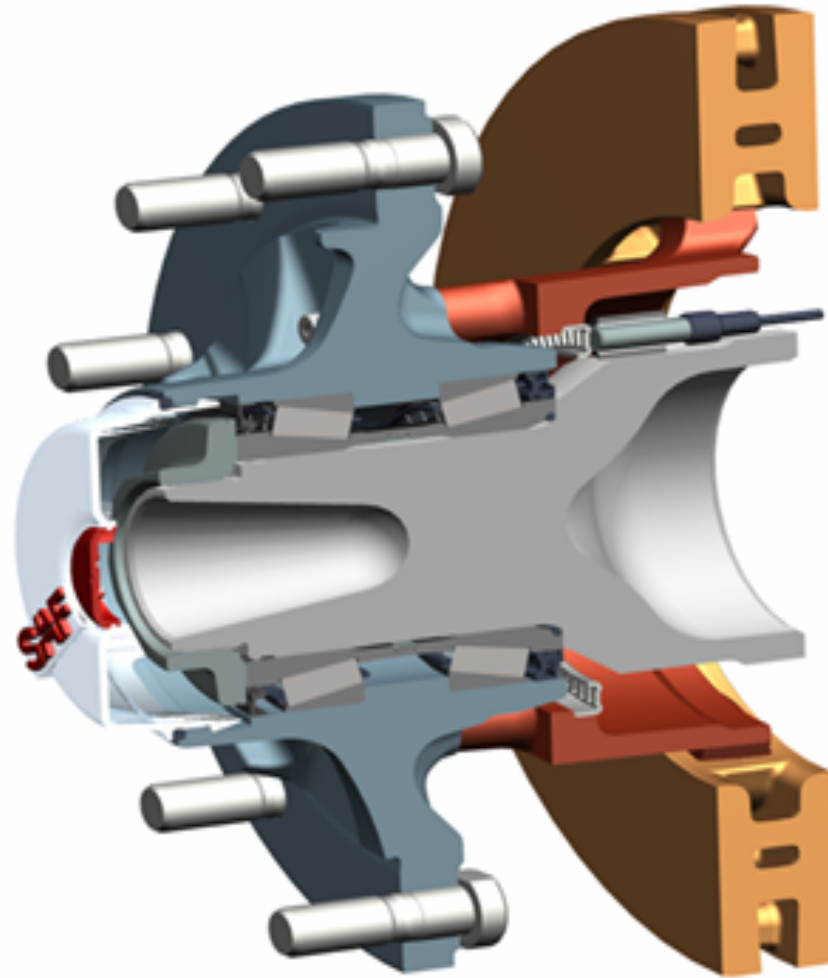


2008 ATA / ARTSA

**TMC**  
Technical & Maintenance Conference

reducing **fuel** consumption | through | better | technology maintenance & operations

# SEALED LONG LIFE BEARING



2008 ATA / ARTSA

**TMC**  
Technical & Maintenance Conference

reducing **fuel** consumption | through | better | technology maintenance & operations

# BEARING



2008 ATA / ARTSA

**TMC**  
Technical & Maintenance Conference

reducing **fuel** consumption | through | better | technology maintenance & operations

THANK YOU

2008 ATA / ARTSA

TMC  
Technical & Maintenance Conference

reducing **fuel** consumption | through | better | technology maintenance & operations